

Washrooms



4.5

Application

This section applies to washroom facilities and elements within a site and facility including, but not limited to:

- multiple-occupancy washrooms;
- universal washrooms; and
- change rooms with washroom features.

Refer to **Table 8** and **Table 9** in **sub-section 4.5.1, Provision and Locations** for minimum number of Universal Washrooms and Accessible Water Closet Stalls or Enclosures to be provided in a building in which washrooms are required as per subsection 3.7.4 of the Ontario Building Code.

Reference

- Sec. 2.1 Ground and Floor Surfaces
- Sec. 2.5 Overhanging and Protruding Objects
- Sec. 4.2 Doors and Doorways
- Sec. 4.3 Interior Accessible Routes
- Sec. 5.1 Controls and Operating Mechanisms
- Sec. 5.6 Fire and Life Safety Systems
- Sec. 5.7 Lighting
- Sec. 5.8 Signage and Wayfinding

Note

If retrofitting multiple occupancy washrooms with accessible water closet stalls or enclosures is not possible, identifying additional space for providing a universal washroom is recommended.

Universal washrooms allow the greatest flexibility, including larger floor space for people who require assistance and may be accompanied by a caregiver or companion, as well as to accommodate larger mobility aids such as power wheelchairs and scooters.

4.5.1 Provision and Locations

- a. provide universal washrooms, as identified in **Table 8**;
- b. provide the minimum number of accessible water closet stalls or enclosures, as identified in **Table 9**;
- c. locate centrally within a facility along an accessible route, within a maximum of 45 m (147 ft 8 in) of regular washrooms; and
- d. where washrooms are not accessible, provide directional signage to indicate the location of the nearest accessible washroom on the same floor.

Table 8: Minimum Number of Universal Washrooms per Building

Number of Storeys in Building	Minimum number of Universal Washrooms per Building
1-3	1
4 - 6	2
Over 6	3, plus 1 for each additional increment of 3 storeys in excess of 6 storeys

Table 9: Minimum Number of Water Closet Stalls or Enclosures Required to be Accessible

Number of Water Closets per Washroom	Minimum Number of Accessible Water Closet Stalls or Enclosures per Washroom
1-3	0, where a universal washroom is provided on the same floor level within 45 m (147 ft 8 in) of the washroom, or 1, where a universal washroom is not provided on the same floor level within 45 m (147 ft 8 in) of the washroom
4 - 9	1
10 - 16	2
17 - 20	3
21 -30	4
Over 30	5, plus 1 for each additional increment of 10 water closets per washroom in excess of 30 water closets per washroom

4.5.2 Multiple Occupancy Washrooms

For multiple occupancy washrooms with accessible water closet stalls or enclosures: (**Figure 57**)

- a. identify clearly with signage, indicating male or female where applicable, with other accessibility features (e.g., braille, tactile, International Symbol of Accessibility);
- b. where doors are provided at washroom entrance, provide a minimum clear width of 950 mm (37½ in), when the door is in the open position and equip with power door operators;
- c. ensure lighting level is evenly distributed, at a minimum of 200 lux (20 ft. candles) (**Refer to Section 5.7, Lighting**);

Best Practice

Provide at least one universal washroom on every occupied floor of a facility.

Note

Where one water closet is required for males and one water closet is required for females, the following may be provided:

(1) one universal washroom; and

(2) one washroom containing one water closet to be used by both sexes provided the door to the room can be locked from the inside.

Best Practice

Wherever possible, consider the use of privacy walls or specialized configuration of entrance vestibules to avoid the need for doors and power door operators. Where entrances are door-less, provide identification signage on both sides of the entrance openings.

Where provided, ensure any drains are installed away from any accessible route / path of travel.

Best Practice

Consider providing a larger clear turning diameter of 1700 mm (67 in) or greater inside washroom circulation area.

Note

In a storey that is not required to have an accessible path of travel, ensure at least one ambulatory water closet is provided.

- d. ensure minimum clearance of 1700 mm (67 in) between the inside face of an in-swinging entrance door and the outside face of an adjacent water closet stall;
- e. ensure minimum clearance of 1525 mm (60 in) between outside wall of stall and any wall-mounted fixtures or other obstructions;
- f. provide a minimum clear floor space 1600 mm wide (63 in) by 1525 mm depth (60 in), in front of the accessible water closet stall, which can be reduced to a minimum of 1525 mm by 1525 mm (60 in by 60 in) in a retrofit condition;
- g. ensure a minimum clear turning diameter of 1525 mm (60 in) is provided inside washroom circulation area, with a maximum of 500 mm (19 $\frac{5}{8}$ in) permitted under the lavatory to allow users of mobility aids to make a 180° turn;
- h. ensure floor surfaces are firm, stable and slip-resistant, with a maximum slope of 1:50 (2%);
- i. provide accessible lavatories with washroom amenities, as identified in this section;
- j. provide accessible water closet stalls with suitable clear floor space, as identified in this section; and
- k. install audible and visual fire alarm system.

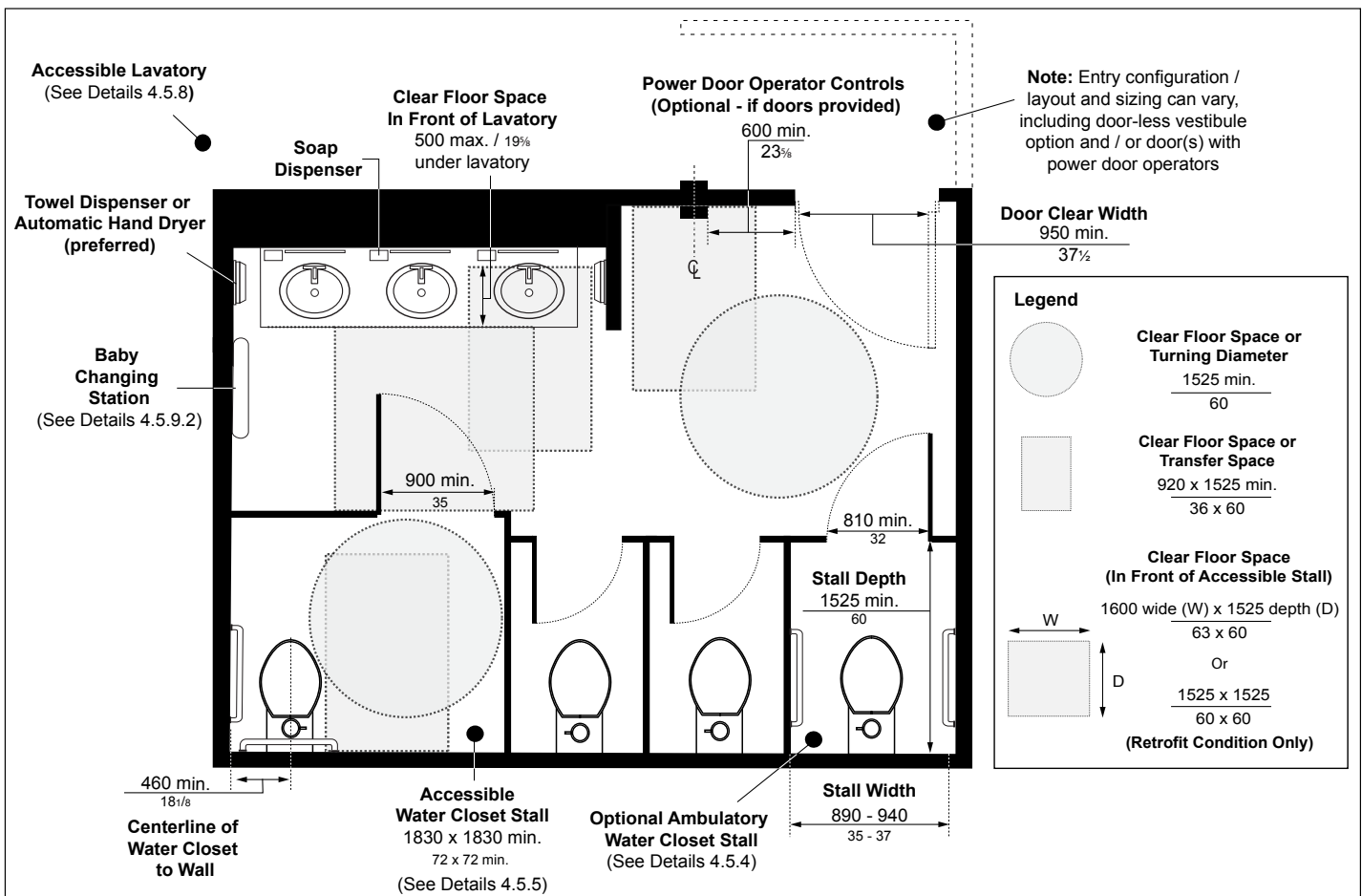


Figure 57: Example of Multiple Occupancy Washroom Layout and Typical Amenities (Conceptual - Layouts Can Vary)

4.5.3 Universal Washrooms

Where universal washrooms are provided: **(Figure 58)**

- a. locate in the same vicinity as other washrooms (e.g., Male & Female multiple occupancy washrooms) along the shortest accessible route;
- b. identify clearly with signage, including unisex pictogram (e.g., Male & Female) and the International Symbol of Accessibility;
- c. provide accessible entrance door:
 - i. with minimum clear width of 950 mm (37½ in), when the door is in an open position;
 - ii. equip with power door operator, coordinated with an automatic locking system (e.g., “push to lock” control), with visual indicator on exterior side that identifies occupied or unoccupied;
 - iii. provide locking mechanism that can be locked from the inside and released from the outside, in case of emergency; and
 - iv. mount accessible latch operating and locking mechanisms 900 mm to 1000 mm (35½ in to 39 ¾ in) above floor, that are operable using a closed fist and does not require fine finger control, tight grasping, pinching or twisting of the wrist, with a maximum force of 22.2 Newtons (5 pounds);
- d. ensure internal dimension between walls is no less than 1700 mm (67 in) and provide a minimum clear turning diameter of 2500 mm (98½ in), clear of all fixtures inside the universal washroom;
- e. ensure floor surface is firm, stable and slip-resistant;
- f. provide one accessible lavatory with other washroom amenities including but not limited to mirror, soap dispenser, paper towel dispenser, automatic hand dryer (preferred), and toilet paper dispenser as identified in this section;
- g. provide one accessible water closet with required clear transfer space of 920 mm (36 in) wide by 1525 mm (60 in) depth and suitable rear and side grab bars (e.g., horizontal, L-shaped and fold-down grab bars) as identified in this section;
- h. provide motion sensor for automatic illumination of interior;
- i. ensure lighting level is evenly distributed, at a minimum of 200 lux (20 ft. candles) **(Refer to Section 5.7, Lighting)**;
- j. install audible and visual fire alarm systems;
- k. provide a minimum clear floor space 810 mm (32 in) wide by 1830 mm (72 in) long in each universal washroom for an adult-size change table;
- l. where the clear floor space provided for an adult-size change table is adjacent to a wall, ensure reinforcement is installed in the wall to permit the future installation of the change table;
- m. where an adult-size change table is installed, ensure a minimum clear floor space of 920 mm (36 in) wide by 1830 mm (72 in) long, parallel to the long side of the adult-size change table;
- n. where installed, ensure baby changing stations and / or adult-size change tables adhere to the requirements identified in **sub-sections 4.5.9.1 & 4.5.9.2**;

Best Practice

Provide both a hand dryer and a paper towel dispenser, where space is available.

Provide a fold-down grab bar mounted on the transfer side of the water closet for additional support.

Where provided, ensure any drains are installed away from any accessible route / path of travel.

Note

An emergency call system with a cancellation feature to turn off the alarm when it is accidentally activated is preferred.

In a retrofit situation where providing the required turning space is technically infeasible, the turning space may be reduced to not less than 2130 mm (84 in).

- o. provide a shelf as identified in **sub-section 4.5.8.1**; and
- p. provide an emergency call system with the following features:
 - i. consists of visual and audible signal devices both inside and outside of the washroom that are activated by a push control device inside the washroom;
 - ii. includes an emergency sign that contains the words “IN THE EVENT OF AN EMERGENCY PUSH EMERGENCY BUTTON AND AUDIBLE AND VISUAL SIGNAL WILL ACTIVATE” in letters at least 25 mm (1 in) high with a 5 mm stroke and that is posted above the emergency button; and
 - iii. where facilities have the capacity and where staff is available, ensure the call system is linked to a display panel at a reception / information counter or to a centrally monitored station (e.g., security desk);
- q. install at least one coat hook mounted at 1200 mm (47 in) (maximum) high from floor, on a side wall and projecting 50 mm (2 in) (maximum) from mounting surface.

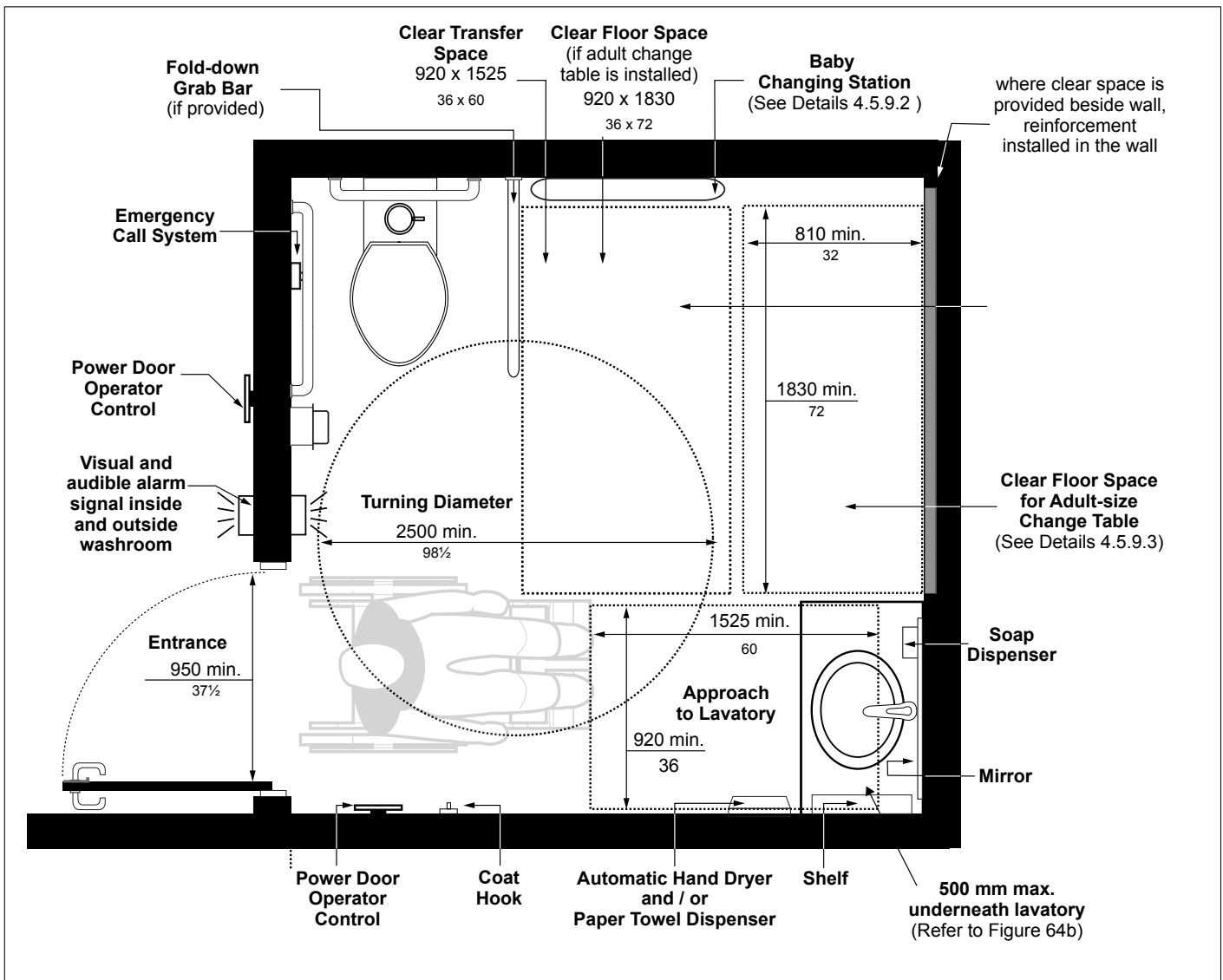


Figure 58: Example of Universal Washroom Layout and Typical Amenities (Conceptual - Layouts Can Vary)

Note

Ambulatory water closet stalls can be identified with a sign that includes a pictogram or symbol of a person with a cane.

4.5.4 Ambulatory Water Closet Stalls or Enclosures

Where ambulatory water closet stalls or enclosures are provided for users with limited mobility who do not use wheeled mobility aids (e.g., canes or crutches): **(Figure 57)**

- a. ensure minimum depth of 1525 mm (60 in), with a width between 890 mm to 940 mm (35 in to 37 in);
- b. provide a door:
 - i. with minimum clear width of 810 mm (32 in);
 - ii. that swings outward, unless the minimum dimensions of the stall identified above are not located within the door swing;
 - iii. with spring-type or gravity hinges so that the door closes automatically;
 - iv. capable of being latched from the inside and released from the outside in case of an emergency;
 - v. with a door pull on both sides of the door, near the latch side of the door, located at a height not less than 900 mm (35½ in) and not more than 1000 mm (39¾ in) above the finished floor; and
 - vi. with all accessible hardware and latching mechanisms operable with a closed fist and without tight grasping, pinching of fingers or twisting of wrist, with a maximum force of 22.2 Newtons (5 pounds);
- c. equip with a water closet centered between the partition walls;
- d. install L-shaped grab bars, as identified in this section, on each side of the water closet;
- e. provide a sign on the door that indicates that the stall is suitable for users who may require grab bar assistance; and
- f. install at least one coat hook mounted at a maximum of 1200 mm (47 in) high from floor, on a side wall and projecting a maximum 50 mm (2 in) from mounting surface.

4.5.5 Accessible Water Closet Stalls or Enclosures

Where accessible water closet stalls or enclosures are provided in multiple occupancy washrooms: **(Figures 59 & 60)**

- a. mark with the International Symbol of Accessibility and ensure doors and partitions have a high colour / tonal contrast from surroundings;
- b. provide a minimum clear turning diameter of 1525 mm (60 in), with overall stall size at a minimum of 1830 mm by 1830 mm (72 in by 72 in); and
- c. install at least one coat hook mounted at a maximum of 1200 mm (47 in) high from floor, on a side wall and projecting a maximum of 50 mm (2 in) from mounting surface.

Best Practice

Provide a larger accessible stall that includes a lavatory inside with required amenities and floor space clearances.

Provide clear turning diameter of 1830 mm (72 in) or larger.

Note

In a retrofit situation where it's technically infeasible to provide the required clear width opening for the accessible stall door, the clear width opening may be reduced to a minimum of 860 mm (34 in).

Best Practice

Wall hung water closets are preferred because they provide additional space at toe level.

Automatic flush controls are recommended for accessible water closets (e.g., sensor activated).

Note

The clear transfer space must be free of any obstruction (e.g., garbage receptacles or baby change tables), excluding sanitary napkin disposal units (**Refer to 4.5.9**). Clear transfer space is measured from the side surface of the water closet or tank (e.g., whichever protrudes most) to the stall partition / wall, or side of any adjacent vanity / obstruction, if applicable.

4.5.5.1 Stall Doors

For accessible stall doors, ensure: (**Figures 59 & 60**)

- a. when door is in an open position, minimum clear width of 900 mm (35½ in) is provided;
- b. the door is aligned with water closet transfer space (e.g., door is positioned on opposite side of water closet);
- c. door swings outward, unless a minimum clear floor space of 920 mm (36 in) wide by 1525 mm (60 in) long is provided within the stall or enclosure, clear of door swing, to permit the door to be closed inside without interfering with the mobility device;
- d. door is self-closing with spring-type or gravity hinges, so that when at rest, the door remains open a maximum 50 mm (2 in) beyond the jamb;
- e. accessible door hardware is provided, including locking mechanisms, with stall capable of being locked from the inside by a control that is operable with a closed fist and does not require fine finger control, tight grasping, pinching or twisting of the wrist with a maximum force of 22.2 Newtons (5 pounds);
- f. door can be released from the outside in case of emergency; and
- g. provide D-type door pulls on both sides of the door as follows:
 - i. ensure high colour / tonal contrast with mounting surface;
 - ii. provide minimum length of 140 mm (5½ in), with grasping depth between 30 mm to 50 mm (1¼ in to 2 in); and
 - iii. mount on the vertical centerline of the door, located at a height between 800 mm (31½ in) and 1000 mm (39¾ in) above the finished floor.

4.5.6 Water Closets

For accessible / ambulatory water closets: (**Figures 59, 60, 61 & 62**)

- a. mount seat between 430 mm and 485 mm (16⅞ in and 19⅞ in) high from floor;
- b. install water closet as follows: (Note: Not applicable to 4.5.4 Ambulatory Water Closet Stalls or Enclosures)
 - i. the centerline of water closet from any adjacent side wall is between 460 mm and 480 mm (18⅞ in and 18⅞ in) and unobstructed transfer space a minimum of 920 mm (36 in) wide by 1525 mm (60 in) depth is provided on the other side of the water closet; or
 - ii. a clear transfer space a minimum of 920 mm (36 in) wide and 1525 mm (60 in) depth is provided on each side of the water closet;
- c. provide a back support where there is no seat cover / lid or tank, and where there is a tank, ensure tank lid is securely attached;
- d. ensure seat is secured;
- e. provide internal extension guards that will not allow the seat to slide;

- f. mount toilet paper dispenser:
 - i. on the side wall closest to the water closet, below the grab bar;
 - ii. with bottom edge at 600 mm to 800 mm (23 $\frac{5}{8}$ in to 31 $\frac{1}{2}$ in) high from floor; and
 - iii. with the closest edge of the dispenser in line with front edge or a maximum of 300 mm (11 $\frac{3}{4}$ in) from the front edge of the water closet seat;
- g. provide automatic, lever or other type of flushing control (e.g., push button control) that:
 - i. is located between 500 mm and 900 mm (19 $\frac{5}{8}$ in and 35 $\frac{1}{2}$ in) above the finished floor;
 - ii. is located on and operable from the transfer side; and
 - iii. is operable using a closed fist and does not require fine finger control, tight grasping, pinching or twisting of the wrist, with a maximum force of 22.2 Newtons (5 pounds);
- h. install at least one coat hook mounted at a maximum of 1200 mm (47 in) high from floor, on a side wall and projecting a maximum of 50 mm (2 in) from mounting surface.

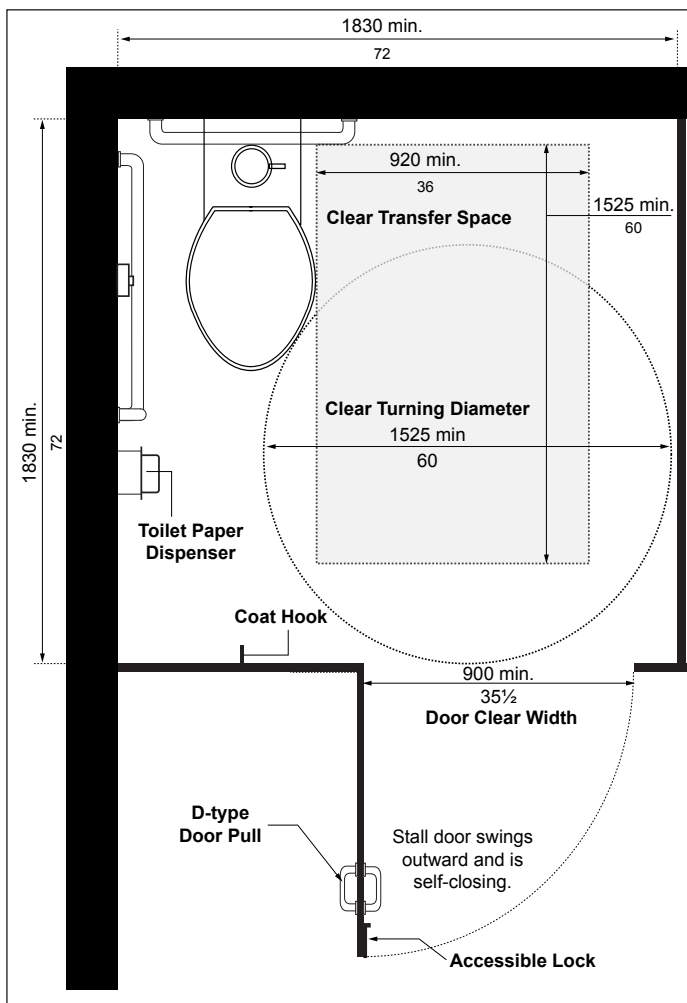


Figure 59: Accessible Water Closet Stall - Space Requirements

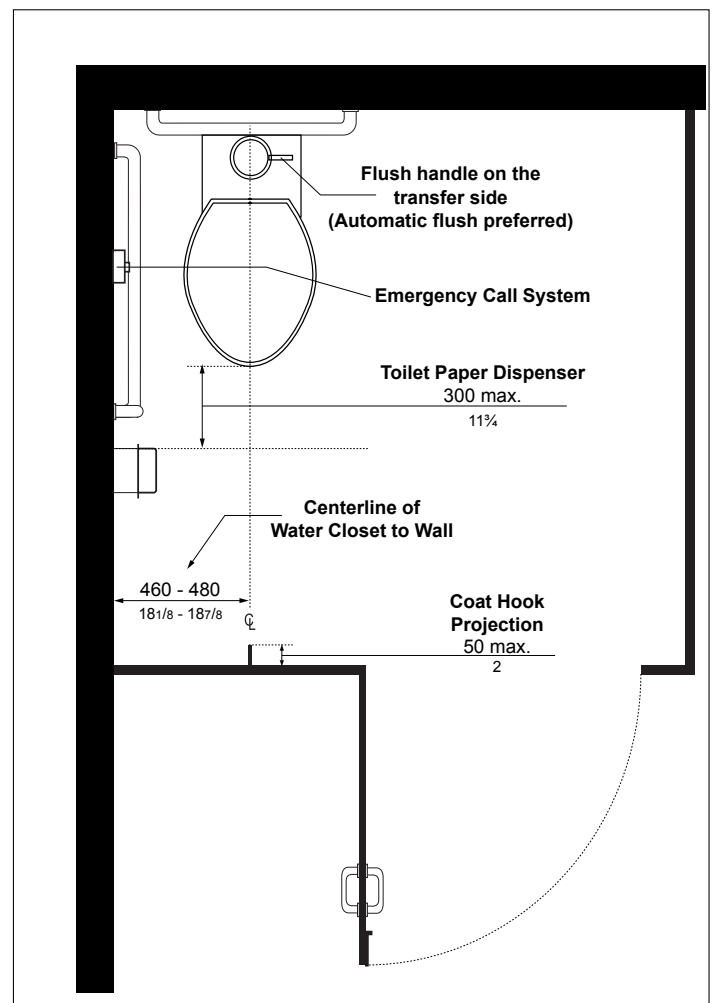


Figure 60: Accessible Water Closet Stall Features

Best Practice

Space of 100 mm (4 in) is recommended between grab bar and toilet paper dispenser.

Where large toilet paper dispensers are used, ensure they are suitably mounted and do not obstruct the use of the adjacent grab bar.

Note

Grab bars with knurled finish are not acceptable for use.

Fold-down grab bar is permitted to encroach into the turning space or clear transfer space.

4.5.7 Grab Bars

Where grab bars are provided ensure: **(Figures 61 & 62)**

- surface is non-abrasive and slip-resistant (e.g., peened finish);
- a high colour / tonal contrast is provided between grab bar and mounting surfaces;
- grasping surface is circular in shape, with diameter between 30 mm and 40 mm ($1\frac{3}{16}$ in and $1\frac{9}{16}$ in);
- clear space a minimum of 38 mm ($1\frac{3}{16}$ in) and a maximum 50 mm (2 in) is provided between mounting surface and the inside surface of the grab bar;
- it is mounted securely to withstand a force of 1.3 Kilonewtons (300 pounds) applied in all directions; and
- grab bar does not rotate within its fittings.

4.5.7.1 Horizontal Grab Bars

- ensure minimum length of 600 mm ($23\frac{5}{8}$ in);
- mount between 840 mm and 920 mm (33 in to 36 in) high from floor level, centered behind water closet; and
- where water closet has a water tank, mount bottom edge of grab bar a minimum of 150 mm (6 in) above the tank.

4.5.7.2 L-shaped Grab Bars

- ensure minimum length of 760 mm (30 in) for both vertical and horizontal components, with a minimum clearance from toilet paper dispenser to any grab bar component of 60 mm ($2\frac{3}{8}$ in);
- mount vertical component a maximum of 150 mm (6 in) from front edge of water closet; and
- mount horizontal component a maximum of 750 mm ($29\frac{1}{2}$ in) high above floor.

4.5.7.3 Fold-Down Grab Bars

Where fold-down grab bars are provided: **(Figures 63a & 63b)**

- mount on the wall behind the water closet;
- locate on transfer space side;
- ensure minimum length of 760 mm (30 in);
- mount between 390 mm and 410 mm ($15\frac{1}{2}$ in and $16\frac{1}{4}$ in) from centerline of water closet;
- mount with the horizontal component at a maximum of 750 mm ($29\frac{1}{2}$ in) high from floor level;
- ensure force required to pull down grab bar is a maximum of 22.2 Newtons (5.0 pounds); and
- where transfer space is provided on both sides of the water closet, provide a fold-down grab bar on each side.

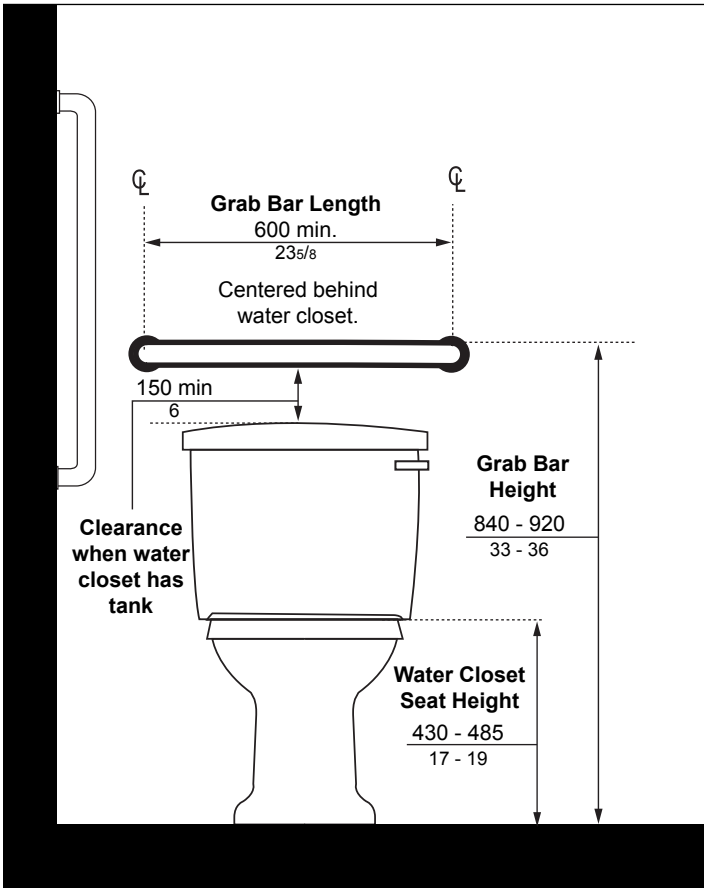


Figure 61: Horizontal Grab Bar and Seat Height (Water Closet with Water Tank)

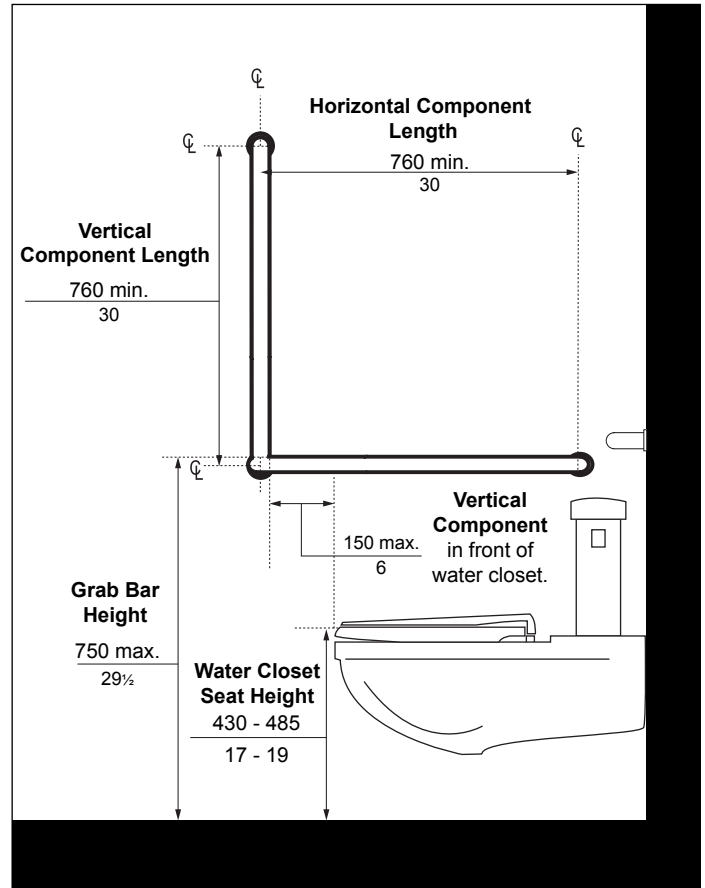


Figure 62: L-shaped Grab Bar and Seat Height (Wall Hung Water Closet with Flush Valve)

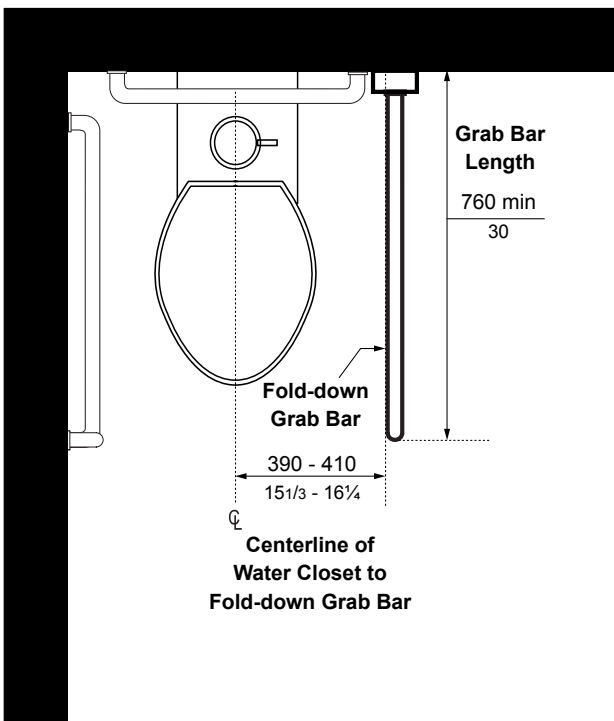


Figure 63a: Fold-down Grab Bar - Plan View

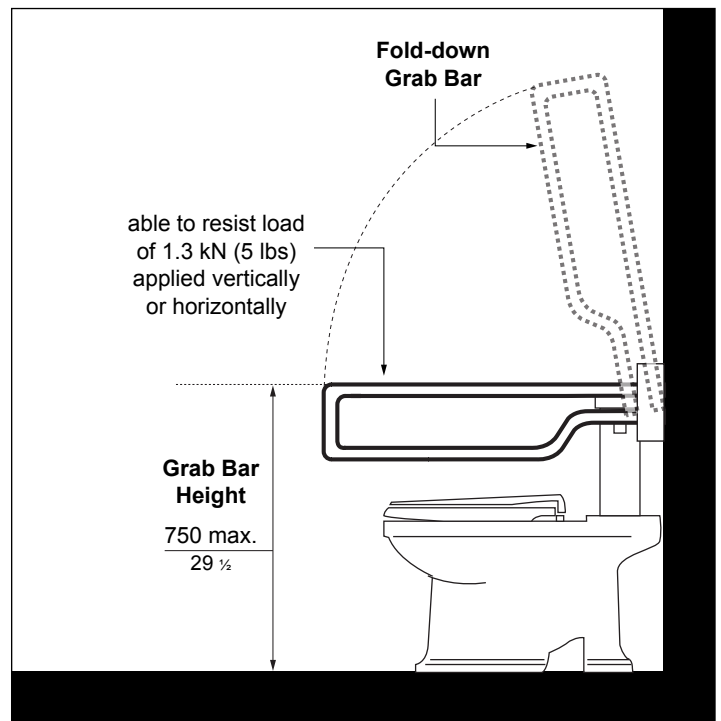


Figure 63b: Fold-down Grab Bar - Elevation View

Best Practice

Automatic faucet control is preferred or a single lever faucet handle, 75 mm (3 in) long (minimum).

An offset trap and drain below accessible lavatories enhances required clearances and knee space available.

4.5.8 Lavatories

Provision of at least one accessible lavatory is required in each accessible washroom facility as follows: **(Figures 64a & 64b)**

- a. ensure centerline of lavatory is a minimum of 460 mm (18 $\frac{1}{8}$ in) from adjacent side wall;
- b. ensure top surface is continuous, with a high colour / tonal contrast, compared to adjacent wall surfaces;
- c. mount top surface of lavatory at 820 to 865 mm (32 $\frac{1}{4}$ to 34 in) high above floor;
- d. provide clearances underneath lavatory no less than:
 - i. 920 mm (36 in) wide, centered on lavatory;
 - ii. 735 mm (29 in) high at front edge;
 - iii. 685 mm (27 in) high at 200 mm (8 $\frac{1}{8}$ in) back from front edge; and
 - iv. 350 mm (13 $\frac{3}{4}$ in) high, over the distance from a point 280 mm (11 in) to a point 430 mm (16 $\frac{7}{8}$ in) back from the front edge, for toe space clearance;
- e. provide automatic control or lever-type faucet without spring loading, located so that the distance from the centerline of the faucet is 485 mm (19 in) (maximum) depth, measured from edge of a basin or to the front edge of a vanity;
- f. mount soap dispenser at a maximum of 1100 mm (43 $\frac{1}{4}$ in) above the finished floor, within 500 mm (19 $\frac{5}{8}$ in) from the front edge of the lavatory, with an automatic control (preferred) or with a manual control, operable using a closed fist and with a force of 22.2 Newtons (5.0 pounds) or less;
- g. provide a minimum clear floor space of 920 mm (36 in) wide by 1525 mm (60 in) depth, centered on the lavatory, with a maximum depth of 500 mm (19 $\frac{5}{8}$ in) permitted under the lavatory;
- h. provide an automatic hand dryer (preferred) or manually operated towel dispenser, located at a maximum of 610 mm (24 in), measured horizontally, from the edge of the lavatory;
- i. ensure water temperature is controlled to a maximum of 43 Degrees Celsius; and
- j. ensure water pipes are covered or insulated below lavatories.

4.5.8.1 Shelves

Where shelves are provided: **(Figure 64b)**

- a. mount at a maximum of 1100 mm (43 $\frac{1}{4}$ in) high above floor and installed in a location where it will not create a hazard;
- b. ensure shelves do not project more than 100 mm (4 in) from mounting surface along an accessible path of travel; and
- c. where provided at a lavatory, mount at a maximum 200 mm (7 $\frac{7}{8}$ in) high above top surface of lavatory.

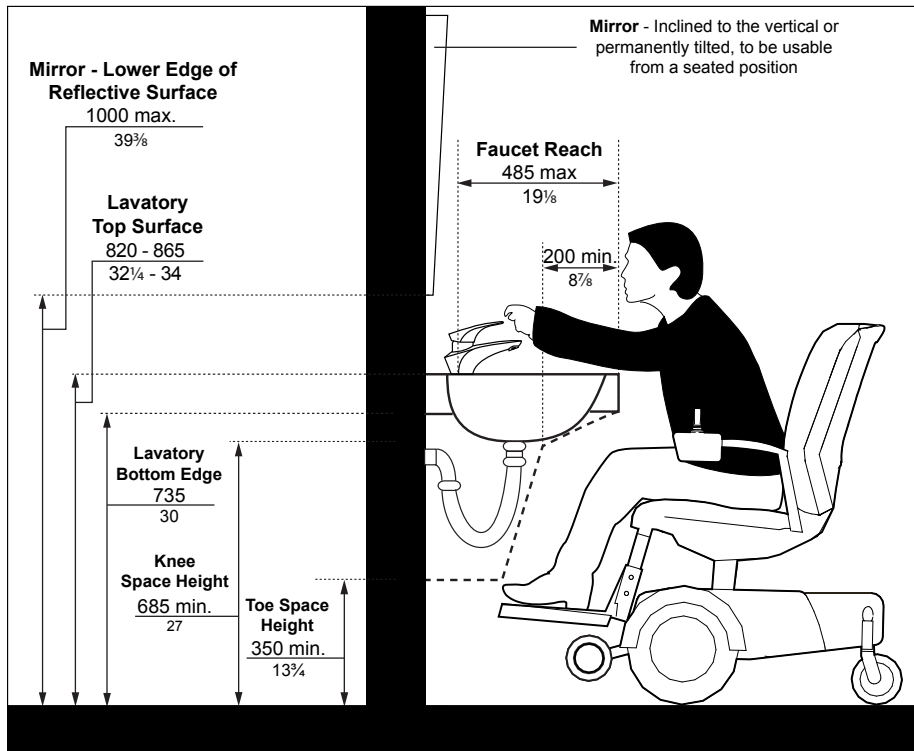


Figure 64a: Lavatories - Section View

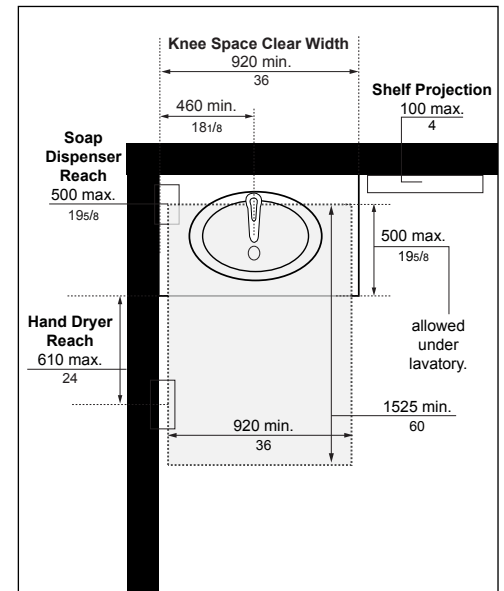


Figure 64b: Lavatories - Plan View

4.5.9 Washroom Amenities

Washroom amenities include, but are not limited to: vending equipment, hand dryers, paper towel dispensers, soap dispensers, waste receptacles, sanitary napkin dispenser / disposal units, mirrors, changing stations and tables. Where washroom amenities are provided: **(Figures 64b & 65)**

- ensure wall mounted amenities are recessed (preferred) or do not project more than 100 mm (4 in) from any wall along an accessible path of travel or within the required clear transfer space of the toilet (e.g., sanitary napkin disposal units);
- provide high colour / tonal contrast between amenities and mounting surfaces;
- ensure any operating controls are mounted between 900 mm and 1100 mm (35½ in and 43¼ in) high above floor, are automatic / push button type or are operable with a closed fist / one hand, without requiring tight grasping, pinching or twisting of the wrist and with a maximum force of 22.2 Newtons (5 pounds);
- ensure the dispensing height of washroom amenities is between 900 mm and 1100 mm (35½ in and 43¼ in);
- where amenities are mounted at lavatories (e.g., hand dryers, paper towel dispensers, soap dispensers), install at a maximum of 1100 mm (43¼ in) high, between 500 mm to 610 mm (19½ in to 24 in) measured horizontally from the edge of the lavatory;

Best Practice

Automatic controls are preferred as they are easy to operate by a wider range of users and have improved hygienic performance.

Best Practice

A single full length mirror can accommodate a greater number of people, including children. In order for mirrors to be usable by people who are ambulatory and people who use wheeled mobility devices, ensure the top edge of mirrors is 1880 mm (74 in) (minimum) from the floor or ground.

Where tilted mirrors are provided, ensure they are permanently tilted for use at all times from a seated position, by children or users of shorter stature.



Example of typical surface mounted or recessed sanitary napkin disposal units, used by the City of London.

- f. provide minimum clear floor space of 920 mm (36 in) wide by 1525 mm (60 in) depth, for side and frontal approaches; and
- g. for sanitary napkin disposal units:
 - i. locate unit in the clear transfer space at the side of the water closet, to allow frontal approach and use by users of mobility aids and / or for reach and use when seated on the water closet; and
 - ii. mount operating component (e.g., push handle for lid) of unit between 400 mm and 610 mm (15¾ in and 24 in).

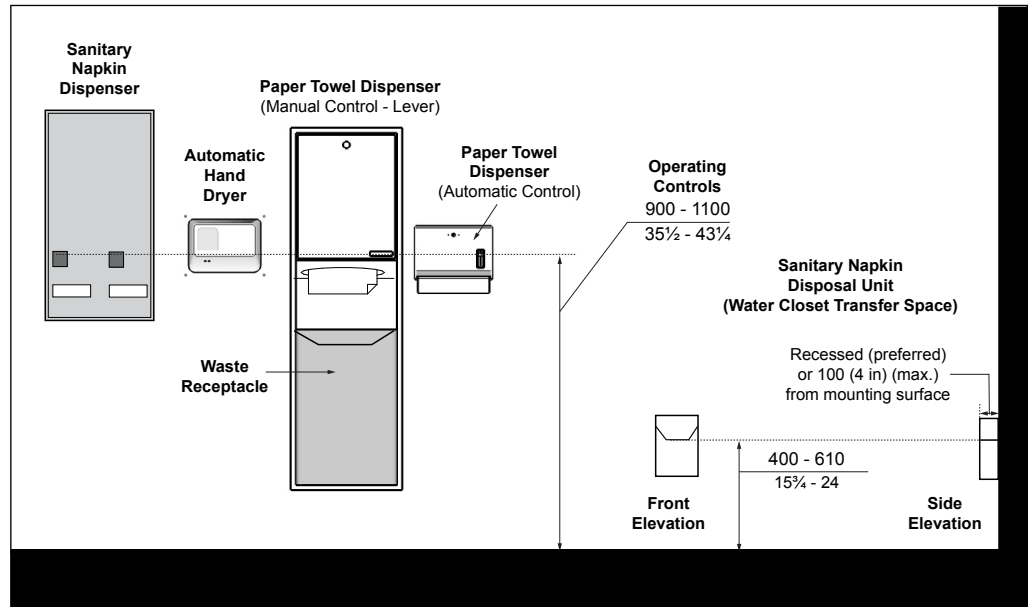


Figure 65: Typical Washroom Amenities - Mounting Heights For Operating Controls, Dispensers and Receptacles

4.5.9.1 Mirrors

For mirrors provided at accessible lavatories: **(Figure 64a)**

- a. mount with the bottom edge of the reflecting surface at a maximum of 1000 mm (39¾ in) high above floor or inclined to the vertical to be usable from a seated position;
- b. ensure lighting level over mirrors does not create reflected glare; and
- c. where full length mirrors are provided, ensure they are not installed where they will reflect path of travel and cause confusion for users.

4.5.9.2 Baby Changing Stations

Where baby changing stations (e.g., which can also be referred to as a baby changing table) are provided: **(Figure 66a)**

- a. where provided, ensure at least one is accessible for users with disabilities, with unit placed in a location that does not obstruct adjacent paths of travel when in use and positioned in close proximity to a lavatory and waste receptacle;
- b. ensure a minimum clear floor space of 920 mm (36 in) by 1525 mm (60 in) for either forward or side approaches;
- c. ensure the required floor clearance for changing station does not overlap with floor clearances of other fixtures, when the changing station is folded up;
- d. mount with the highest edge or component of the station between 730 mm and 865 mm (28¾ in and 34 in);
- e. ensure minimum knee clearance of 685 mm high (27 in) and 480 mm (18⅞ in) depth is provided;
- f. where a folding-type changing station is provided, ensure a maximum projection from wall of 100 mm (4 in) when in folded position and located along accessible path of travel; and
- g. where a folding-type changing station is provided, ensure operating control is:
 - i. mounted between 900 mm and 1100 mm (35½ in and 43¼ in) high; and
 - ii. operable with a closed fist and without tight grasping, pinching of fingers or twisting of wrist, with a maximum force of 22.2 Newtons (5 pounds).

Best Practice

Ensure baby changing stations are not located in accessible water closet stalls, especially in high use washrooms.

Universal washrooms designed with larger floor space are more suitable to accommodate changing stations, tables and other attendant care amenities (e.g., shelving).

Note

Baby changing stations can be fixed or the folding type.

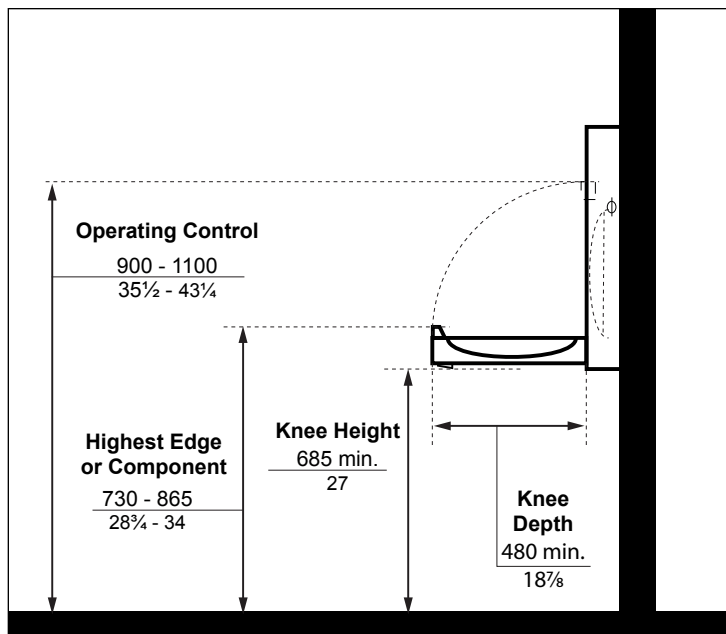


Figure 66a: Folding Baby Changing Station - Section View



Example of a typical baby changing station, City of London.

Best Practice

Public facilities such as community and recreation centers, should provide an adult-size change table in each universal washroom.

Note

Adult-size change tables located in universal washrooms are of benefit to many individuals, and may be used as changing stations or tables. They allow persons with limited balance or strength to sit and allow persons with disabilities to lie down and be changed with the assistance of an attendant.

Adult-size change tables are also useful in change rooms, where people are expected to change clothing.

4.5.9.3 Adult-size Change Tables

Where an adult-size change table is installed in a universal washroom: (Figures 58, 66b & 66c)

- a. provide a change table surface that is a minimum of 810 mm (32 in) wide by 1830 mm (72 in) length with a minimum clear floor space of 920 mm (36 in) wide by 1830 mm (75 in) length, parallel to the long side of the table;
- b. when fully loaded, ensure the surface height above the floor is adjustable (e.g., automatic preferred) from between 450 mm and 500 mm (17¾ in and 19⅝ in) at the low range to between 850 mm and 900 mm (33½ in and 35½ in) at the high range;
- c. where a fold-down change table is provided:
 - i. install so that it does not encroach into the clear transfer space required adjacent to the water closet when positioned for use;
 - ii. ensure operating mechanisms (e.g., latches, handles and pulls) are mounted between 900 mm to 1100 mm (35½ in to 43¼ in) high; and
 - iii. ensure automatic / manual operating mechanisms are operable with a closed fist and without tight grasping, pinching of fingers or twisting of wrist, with a maximum force of 22.2 Newtons (5 pounds);
- d. ensure changing tables can support a minimum load of 1.33 Kilonewtons (300 pounds), with required wall reinforcements;
- e. provide a high colour / tonal contrast between change table surface and adjacent mounting surface; and
- f. ensure change table surfaces are free of sharp edges or abrasive materials, and are easy to clean.

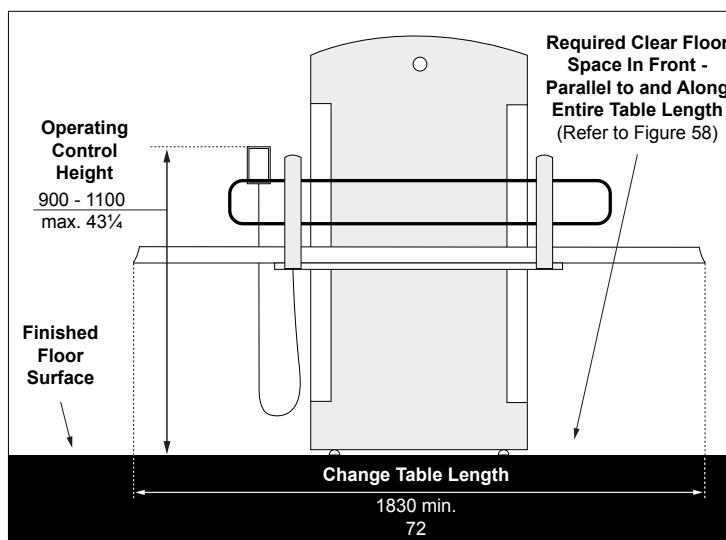


Figure 66b: Adult-size Change Table - Front Elevation View

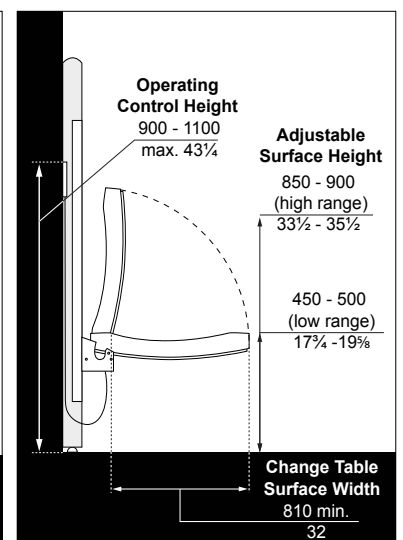


Figure 66c: Adult-size Change Table - Side Elevation View

4.5.10 Urinals

Where more than one urinal is provided in men's multiple occupancy washrooms, provide at least one accessible urinal, as follows: **(Figure 67a & 67b)**

- locate within accessible path of travel with no step in front of the urinal;
- mount urinal on wall with the lower rim located at a maximum height of 430 mm (16 $\frac{7}{8}$ in) above floor, or provide a floor mounted urinal with the rim level with the floor level;
- ensure the upper rim is no lower than 860 mm (34 in) high above floor;
- ensure a minimum depth of 345 mm (13 $\frac{5}{8}$ in), measured from the outer face of the urinal rim to the back of the fixture;
- ensure urinal has high colour / tonal contrast compared with back wall;
- provide lever, automatic, or other flush control operable with a closed fist, without tight grasping, pinching or twisting of the wrist (e.g., push button control) and with a force of no more than 22.2 Newtons (5.0 pounds), mounted between 900 mm to 1100 mm (35 $\frac{1}{2}$ in and 43 $\frac{3}{4}$ in) high above floor;
- provide a minimum clear floor space of 920 mm (36 in) wide by 1525 mm (60 in) depth that is perpendicular to, and centered on the urinal and is unobstructed by privacy screens for front approach;

Note

Placement of privacy screens is dependent on where grab bars are installed.

Vertical markers are used to identify centerline of urinal for users with vision loss.

Various elements may be used as a centerline indicator, such as exposed piping, architectural features (e.g., raised ceramic tiles), etc.

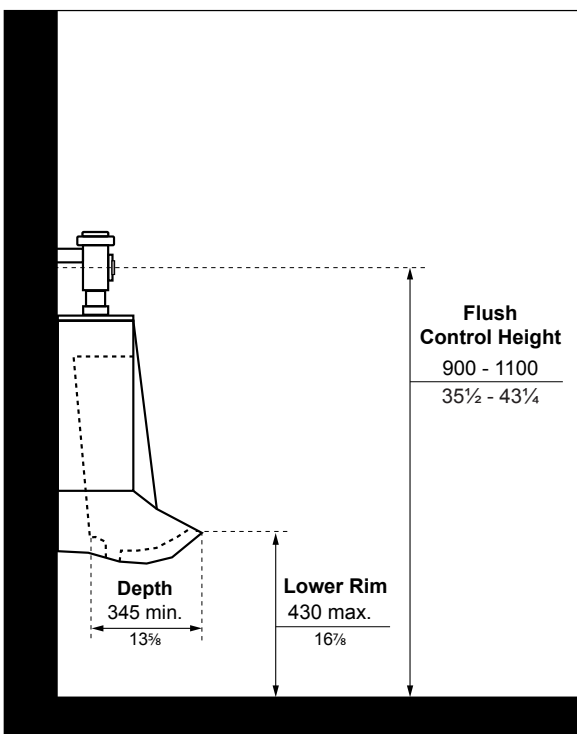


Figure 67a: Urinals - Side Elevation View

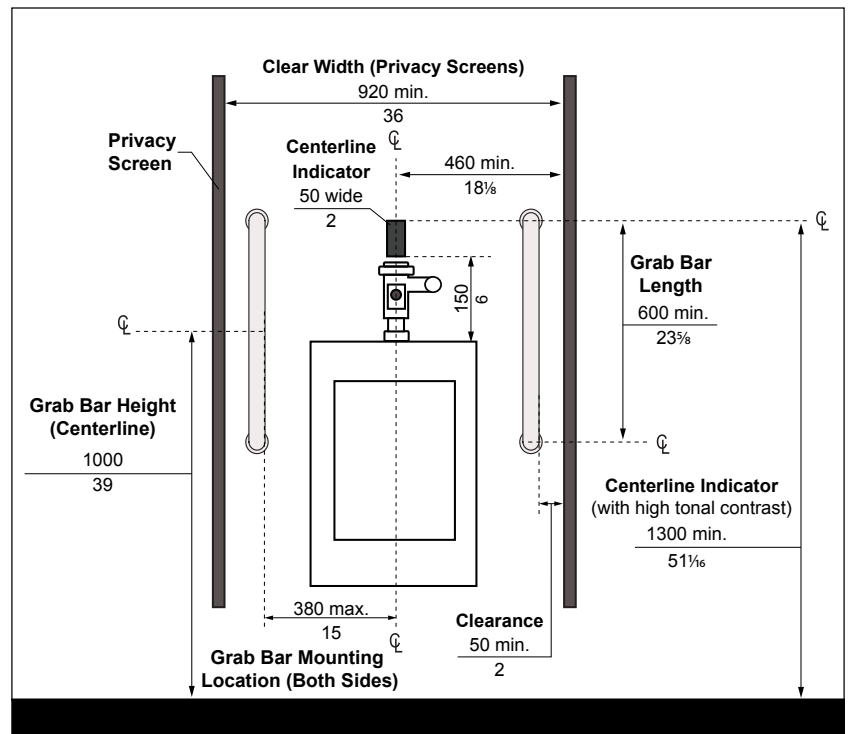


Figure 67b: Urinals - Front Elevation View

- h. provide grab bars, on each side of urinal:
 - i. mounted vertically, with centerline at a maximum of 1000 mm (39 $\frac{3}{8}$ in) high above floor;
 - ii. mounted at a maximum of 380 mm (15 in) from centerline of urinal;
 - iii. with a minimum length of 600 mm (23 $\frac{5}{8}$ in); and
 - iv. with high colour / tonal contrast compared to back wall;
- i. install centerline indicator for all urinals:
 - i. centered above the urinal 50 mm (2 in) wide (maximum);
 - ii. extending a minimum of 1300 mm (51 $\frac{1}{16}$ in) above floor but never less than 150 mm (6 in) above the upper urinal rim;
 - iii. ensure indicator has high colour / tonal contrast compared with back wall and raised a minimum of 3 mm ($\frac{1}{8}$ in); and
 - iv. where more than one urinal is provided in a washroom, provide a centerline indicator at each urinal;
- j. where privacy screens are provided:
 - i. provide a minimum clearance of 920 mm (36 in) between screens;
 - ii. ensure a clearance of 50 mm (2 in) from the grab bars; and
 - iii. ensure high colour / tonal contrast between screens and surrounding surfaces, as well as the vertical outer edges.